
特点 Features:

- 触点容量: 3A触点切换能力
Switching capability: 3A.
- 高灵敏度: 线圈功率200mW
High Sensitivity: 200mW coil power.
- 小型尺寸 Small size: (15.5x10.4x11.3)mm.

触点参数 CONTACT DATA

| | | |
|----------|-----------------------------|-------------------------|
| 型号 | Model | YT103 |
| 触点形式 | Contact Arrangement | 1C |
| 接触电阻 | Contact Resistance | 100mΩ Max. |
| 触点材料 | Contact Material | 银合金 Silver Alloy |
| 额定负载(阻性) | Contact Rating (Res.Load) | 3A 250VAC/28VDC |
| 最大切换电流 | Max. Switching Current | 3A |
| 最大切换电压 | Max. Switching Voltage | 250VAC/28VDC |
| 最大切换功率 | Max. Switching Power | 750VA/84W |
| 机械寿命 | Mechanical endurance | 1x10 ⁷ 次 OPS |
| 电气寿命 | Electrical endurance | 1x10 ⁵ 次 OPS |

性能参数 CHARACTERISTICS

| | | |
|-------------|--------------------------------|--------------------------------------------------------|
| 吸合时间(额定电压下) | Operate Time (at nomi.volt.) | 10ms Max. |
| 释放时间(不带二极管) | Release Time (without diode) | 4ms Max. |
| 绝缘电阻 | Insulation Resistance | 100MΩ Min.(500VDC) |
| 介质耐压 | Dielectric Strength | 触点与触点间 Between Open Contacts : 500VAC, 50/60Hz 1 min. |
| | | 触点与线圈间 Between Coil & Contacts: 750VAC, 50/60Hz 1 min. |
| 抗振性 | Vibration resistance | 误动作 Functional: 10~55Hz 双振幅 1.5mm (DA) |
| | | 耐久 Destructive: 10~55Hz 双振幅 1.5mm (DA) |
| 抗冲击 | Shock resistance | 误动作 Functional: 10G Min. |
| | | 耐久 Destructive: 100G Min. |
| 环境温度 | Ambient Temperature | -30°C~+85°C (不冷凝 No condensation) |
| 重量 | Unit Weight | 约 Approx. 3.4g |

线圈参数 COIL DATA (at 23°C)

| 额定电压 Rated voltage (VDC) | 额定电流 Rated current ±10%(mA) | 线圈电阻 Coil resistance ±10%(Ω) | 最大连续外加电压 Max allowable voltage VDC (Max.) | 吸合电压 Operate voltage VDC (Max.) | 释放电压 Release voltage VDC (Min.) | 额定功率 Rated coil power (W) |
|--------------------------------|-----------------------------------|------------------------------------|-------------------------------------------------|---------------------------------------|---------------------------------------|---------------------------------|
| 3 | 66.7 | 45 | 额定电压的 of rated voltage 130 % | 额定电压的 of rated voltage 75 % | 额定电压的 of rated voltage 5 % | 约 approx. 0.2 |
| 5 | 40.0 | 125 | | | | |
| 6 | 33.3 | 180 | | | | |
| 9 | 22.2 | 405 | | | | |
| 12 | 16.7 | 720 | | | | |
| 24 | 8.3 | 2,880 | | | | |
| 3 | 120.0 | 25 | 额定电压的 of rated voltage 130 % | 额定电压的 of rated voltage 75 % | 额定电压的 of rated voltage 5 % | 约 approx. 0.36 |
| 5 | 72.0 | 69 | | | | |
| 6 | 60.0 | 100 | | | | |
| 9 | 40.0 | 225 | | | | |
| 12 | 30.0 | 400 | | | | |
| 24 | 15.0 | 1,600 | | | | |

线圈参数 COIL DATA (at 23°C)

| 额定电压 Rated voltage (VDC) | 额定电流 Rated current ±10%(mA) | 线圈电阻 Coil resistance ±10%(Ω) | 最大连续外加电压 Max allowable voltage VDC (Max.) | 吸合电压 Operate voltage VDC (Max.) | 释放电压 Release voltage VDC (Min.) | 额定功率 Rated coil power (W) |
|--------------------------------|-----------------------------------|------------------------------------|-------------------------------------------------|---------------------------------------|---------------------------------------|---------------------------------|
| 3 | 150.0 | 20 | 额定电压的 of rated voltage 130 % | 额定电压的 of rated voltage 75 % | 额定电压的 of rated voltage 5 % | 约 approx. 0.45 |
| 5 | 90.0 | 56 | | | | |
| 6 | 75.0 | 80 | | | | |
| 9 | 50.0 | 180 | | | | |
| 12 | 37.5 | 320 | | | | |
| 24 | 18.8 | 1,280 | | | | |

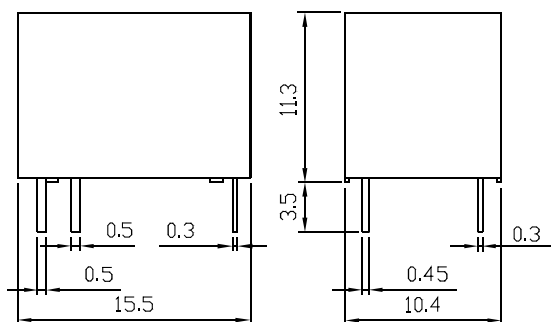
订货标记示例 ORDERING INFORMATION

| | | | | | |
|-------|--------|----|---|---|-----------------------------------------------------|
| YT103 | -12VDC | -1 | C | S | |
| | | | | | 封装形式 Protective construction : S-塑封式 S-Flux proofed |
| | | | | | 触点形式 Contact form : C-转换, C-Form C |
| | | | | | 触点组数 Number of poles : 1-1组 1-1 Group |
| | | | | | 线圈规格 Coil voltage : 03,05,06,09,12,24(VDC) |
| | | | | | 基本型号 Type designation : YT103 |

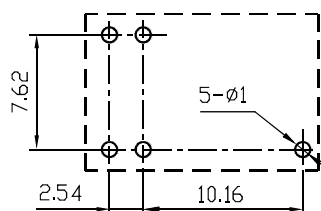
外形尺寸、接线图、安装孔位图 (单位: mm)

OUTLINE DIMENSIONS, WIRING DIAGRAM AND PCB LAYOUT (Unit: mm)

外形尺寸
Outline Dimensions

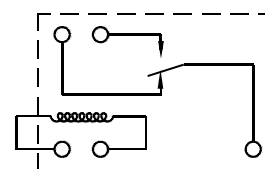


安装孔位图 (底视图)
PCB Layout (Bottom View)



接线图 (底视图)

Wiring Diagram (Bottom View)

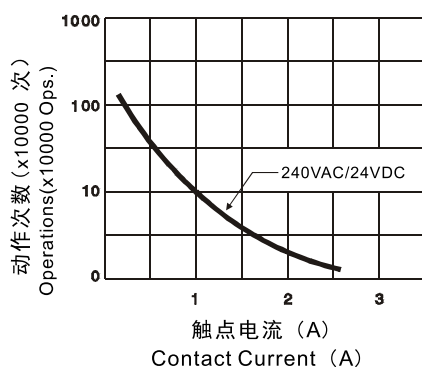


注 Remark :

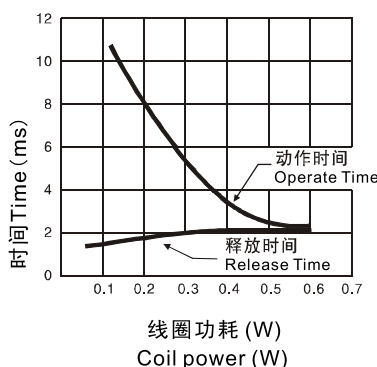
- 1.未标注尺寸公差 Unmarked dimensional tolerance: ≤1mm: ±0.2mm ; (1~5)mm: ±0.3mm ; ≥5mm: ±0.4mm.
- 2.安装孔尺寸公差: ±0.1mm. The tolerance of PCB layout is always: ±0.1mm.
- 3.引出脚尺寸为预焊前尺寸. Extended terminal dimension is dimension before soldering.

性能曲线图 CHARACTERISTIC CURVES

寿命曲线
Endurance Curve



动作时间
Operate Time



线圈温升
Coil Temperature Rise

