


特点 Features :

- 触点容量 : 20A触点切换能力
Contact switching capability: 20A
- 工作温度高达125°C
Extended temp. ranges up to 125°C
- 体积小重量轻
Small size and light weight

触点参数 CONTACT DATA

| | | |
|----------|-----------------------------|-------------------------|
| 型号 | Model | YQ508 |
| 触点形式 | Contact Arrangement | 1A |
| 接触电阻 | Contact Resistance | 50mΩ Max. |
| 触点材料 | Contact Material | 银合金 Silver Alloy |
| 额定负载(阻性) | Contact Rating (Res.Load) | 20A 14VDC |
| 最大切换电流 | Max. Switching Current | 30A |
| 最大切换电压 | Max. Switching Voltage | 30VDC |
| 最大切换功率 | Max. Switching Power | 280W |
| 机械寿命 | Mechanical endurance | 1x10 ⁷ 次 OPS |
| 电气寿命 | Electrical endurance | 1x10 ⁵ 次 OPS |

性能参数 CHARACTERISTICS

| | | |
|-------------|--------------------------------|--|
| 吸合时间(额定电压下) | Operate Time (at nomi.volt.) | 10ms Max. |
| 释放时间(不带二极管) | Release Time (without diode) | 5ms Max. |
| 绝缘电阻 | Insulation Resistance | 100MΩ Min.(500VDC) |
| 介质耐压 | Dielectric Strength | 触点与触点间 Between Open Contacts : 500VAC, 50/60Hz 1 min. |
| | | 触点与线圈间 Between Coil & Contacts: 500VAC, 50/60Hz 1 min. |
| 抗振性 | Vibration resistance | 误动作 Functional: 10~55Hz 双振幅 1.5mm (DA) |
| | | 耐久 Destructive: 10~55Hz 双振幅 1.5mm (DA) |
| 抗冲击 | Shock resistance | 误动作 Functional: 10G Min. |
| | | 耐久 Destructive: 100G Min. |
| 环境温度 | Ambient Temperature | -40°C~+125°C (不冷凝 No condensation) |
| 重量 | Unit Weight | 约 Approx. 31g |

线圈参数 COIL DATA (at 23°C)

| 额定电压 Rated voltage (VDC) | 额定电流 Rated current ±10%(mA) | 线圈电阻 Coil resistance ±10%(Ω) | 最大连续外加电压 Max allowable voltage VDC (Max.) | 吸合电压 Operate voltage VDC (Max.) | 释放电压 Release voltage VDC (Min.) | 额定功率 Rated coil power (W) |
|--------------------------------|-----------------------------------|------------------------------------|---|---------------------------------------|---------------------------------------|---------------------------------|
| 12 | 120.0 | 100.0 | 额定电压的 of rated voltage 150 % | 额定电压的 of rated voltage 70 % | 额定电压的 of rated voltage 10 % | 约 approx. 1.44 |
| 24 | 60.0 | 400.0 | | | | |

订货标记示例 ORDERING INFORMATION

| | | | | | | | |
|--------------------------------|----|---|----|---|---|---|--|
| YQ508 | -S | -1 | 12 | D | M | F | |
| 外壳形式 Cover type : | | 无-不带靠背, F-带靠背 Nil-Without bracket, F-With bracket | | | | | |
| 触点形式 Contact form : | | M-常开 M-Form A | | | | | |
| 线圈功耗 Coil power : | | D-1.44 W | | | | | |
| 线圈规格 Coil voltage : | | 12,24 (VDC) | | | | | |
| 触点组数 Number of poles : | | 1-1组 1-1 Group | | | | | |
| 封装形式 Protective construction : | | S-塑封式 S-Flux proofed | | | | | |
| 基本型号 Type designation : | | YQ508 | | | | | |

外形尺寸、接线图、安装孔位图 (单位: mm)

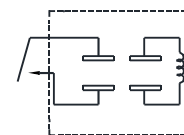
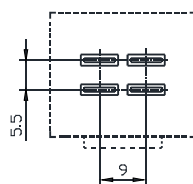
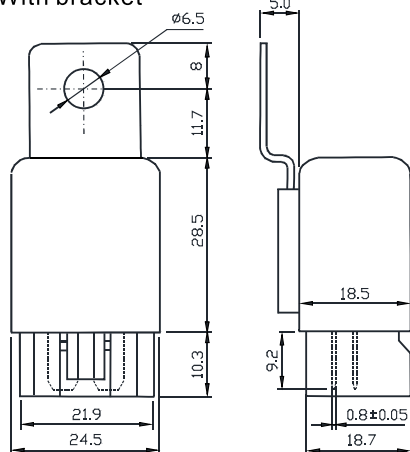
OUTLINE DIMENSIONS, WIRING DIAGRAM AND PCB LAYOUT (Unit: mm)

外形尺寸
Outline Dimensions

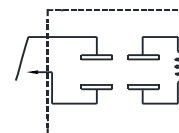
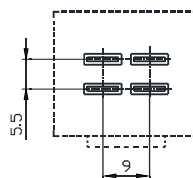
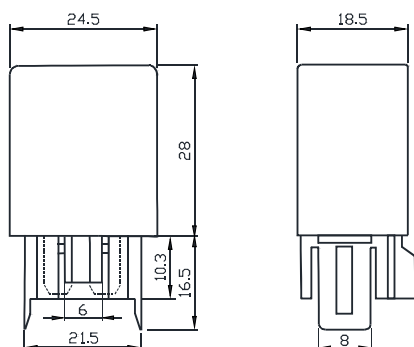
安装孔位图 (底视图)
PCB Layout (Bottom View)

接线图 (底视图)
Wiring Diagram (Bottom View)

带靠背
With bracket



不带靠背
Without bracket



注 Remark :

1. 未标注尺寸公差 Unmarked dimensional tolerance
≤1mm: ±0.2mm ; (1~5)mm: ±0.3mm ; ≥5mm: ±0.4mm.
2. 安装孔尺寸公差: ±0.1mm.
The tolerance of PCB layout is always: ±0.1mm.
3. 引出脚尺寸为预焊前尺寸.
Extended terminal dimension is dimension before soldering.